



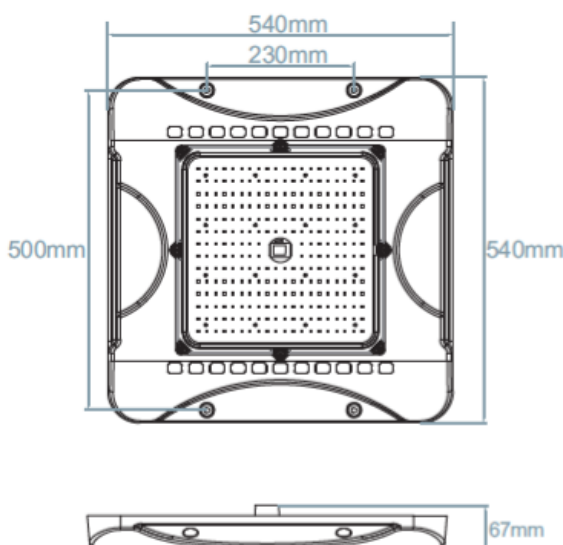
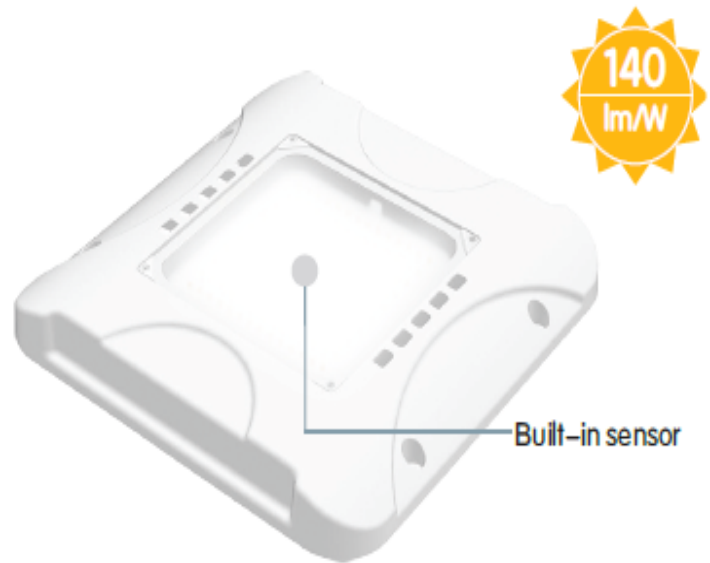
## LED Canopy Light – 240W

Model: SLA-C240-A

Surface mount LED canopy lights are suitable for both outdoor and indoor commercial applications such as loading docks, petrol stations, freezers, cool rooms, food processing plants and common areas.

### Product Features

- Only consumes 240w of power
- Aluminium die cast housing
- Daylight & Microwave Motion Sensor
- Long operating life and performance
- 120° Beam Angle
- IP65 Waterproof housing



### SPECIFICATION

Colour	Cool White (5000K)
Lumen (lm)	33,600lm
LED Efficiency (Lm/w)	>140lm/w
Light Source	SMD LED's
CRI (%)	>80%
Beam Angle	120°
Power Requirement	AC 220~240V 50Hz
Power Consumption	240W
Housing	Die Cast Aluminium
Lifespan	> 40,000 hours
Operation Temperature	-20°C~+40°C
Dimension (mm)	540 ( L ) × 540 ( W ) × 67 ( D )
Weight	6kg
Sensor (option by remote)	Daylight & Microwave Motion Sensor
Warranty	5 years

Solar Lighting Australia. 1/13 Commerce Circuit, Yatala Qld 4207

Telephone: 1300 911 866

Website: [solarlightingaustralia.com](http://solarlightingaustralia.com)

Email: [sales@solarlightingaustralia.com](mailto:sales@solarlightingaustralia.com)