



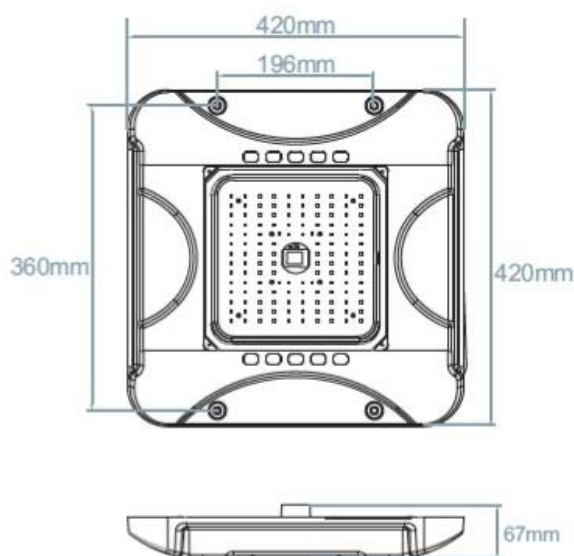
LED Canopy Light – 75W

Model: SLA-C75-A

Surface mount LED canopy lights are suitable for both outdoor and indoor commercial applications such as loading docks, petrol stations, freezers, cool rooms, food processing plants and common areas.

Product Features

- ✓ Only consumes 100w of power
- ✓ Aluminium die cast housing
- ✓ Daylight & Microwave Motion Sensor
- ✓ Long operating life and performance
- ✓ 120° Beam Angle
- ✓ IP65 Waterproof housing



SPECIFICATION	
Colour	Cool White (5000K)
Lumen (lm)	14,000lm
LED Efficiency (Lm/w)	>140lm/w
Light Source	SMD LED's
CRI (%)	>80%
Beam Angle	120°
Power Requirement	AC 220~240V 50Hz
Power Consumption	75W Housing
	Die Cast Aluminium
Lifespan	> 40,000 hours
Operation Temperature	-20°C~+40°C
Dimension (mm)	420 (L) x 420 (W) x 67 (D)
Weight	4.5kg
Sensor (option by remote)	Daylight & Microwave Motion Sensor
Warranty	5 years

Solar Lighting Australia. 1/13 Commerce Circuit, Yatala Qld 4207

Telephone: 1300 911 866

Website: solarlightingaustralia.com

Email: sales@solarlightingaustralia.com