



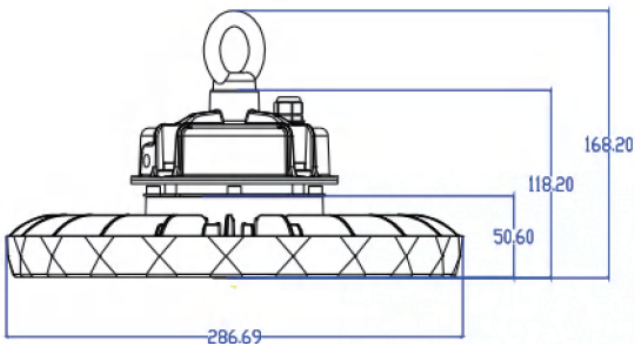
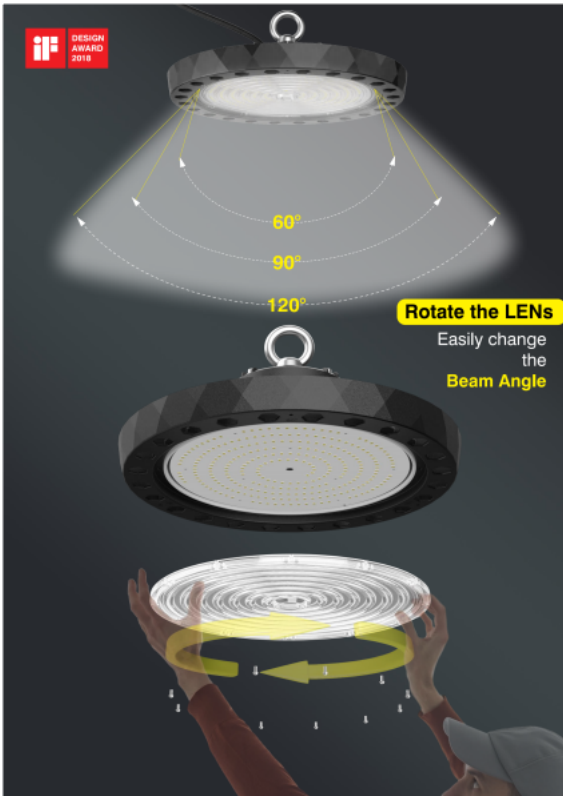
## LED Hi Bay – 150W

Model: SLA-HBFS3-150W

LED Hi Bays are suitable for factories, workshops, basketball courts, stadiums, commercial buildings.

### Product Features

- 120° Round Beam Angle, but adjustable
- Aluminium die cast housing
- Toughened glass face
- Long operating life and performance
- No Sensor Model
- IP65 Waterproof housing



**150W**

### SPECIFICATION

Colour	Cool White (5500K)
Lumen (lm)	21,000lm
Efficiency (Lm/w)	>140lm/w
Light Source	LED
CRI (%)	>80%
Beam Angle	120° or can change to 60° or 90°
Power Requirement	AC 220~240V
Power Consumption	150W
Housing	Die Cast Aluminium and Toughened Glass
Lifespan	> 50,000 hours
Operation Temperature	-20°C~+60°C
Dimension (mm)	286 x 168mm
Sensor	N/A
Protection Rating	IP65
Warranty	5 years