



## MultiFit LED Street Light – 150W

Model: SLA-SL150W-2C



LED Street / Carpark lights are suitable for car parks, street lighting, lane ways, parks or anywhere external lighting is required. Our MultiFit Street Light is designed to fit either pole top mounting or spigot mounting all in the one product.



### Product Features

- 2 Colour Adjustable (4000K/5000K)
- PE Cell Compatible
- Supports pole top ( $90^\circ \pm 15^\circ$ ) or spigot mounting ( $0^\circ \pm 15^\circ$ )
- IK08 impact rating
- 10KV Surge Protector



### Options:



PE Cell  
(Model: SLM-PE)



Spigot mounting



Mounting Poles



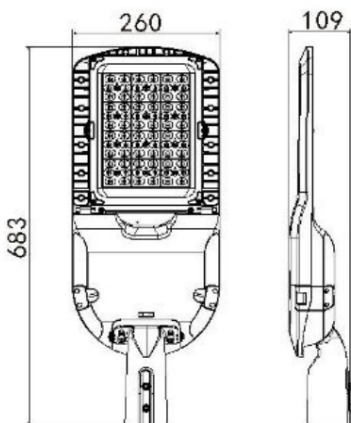
Ø32-40mm Spigot Replacement  
(Model: SLM-SPIGOT-40)



Pole top mounting



Outreach or Spigot Adaptors



### SPECIFICATION

|                       |   |
|-----------------------|---|
| Colour Temp (2CCT)    | 4000K or 5000K                            |
| Lumen (lm)            | 18976lm(4000k) or 17032lm(5000k)          |
| Efficiency (Lm/w)     | >128Lm/w(4000k) or >115lm/w(5000k)        |
| Light Source          | LED                                       |
| Beam Angle            | 150° / 80°                                |
| Power Requirement     | AC 90~305VAC                              |
| Power Consumption     | 148.3W                                    |
| Housing               | Aluminium with tempered glass Glass       |
| Lifespan              | > 40,000 hours                            |
| Operation Temperature | -30°C~+40°C                               |
| Dimension (mm)        | Spigot Mount: 683 (L) x 260 (W) x 109 (H) |
| Fits Spigot Size      | Ø50 ~ Ø60mm                               |
| Protection Rating     | IP65                                      |
| Weight                | 5.9kg                                     |
| Warranty              | 5 years                                   |